

Randall

OWNERS MANUAL RRM-2-4X



The RRM 2-4X is a stereo or mono electronic crossover for use in bi amp sound systems.

FRONT PANEL FEATURES

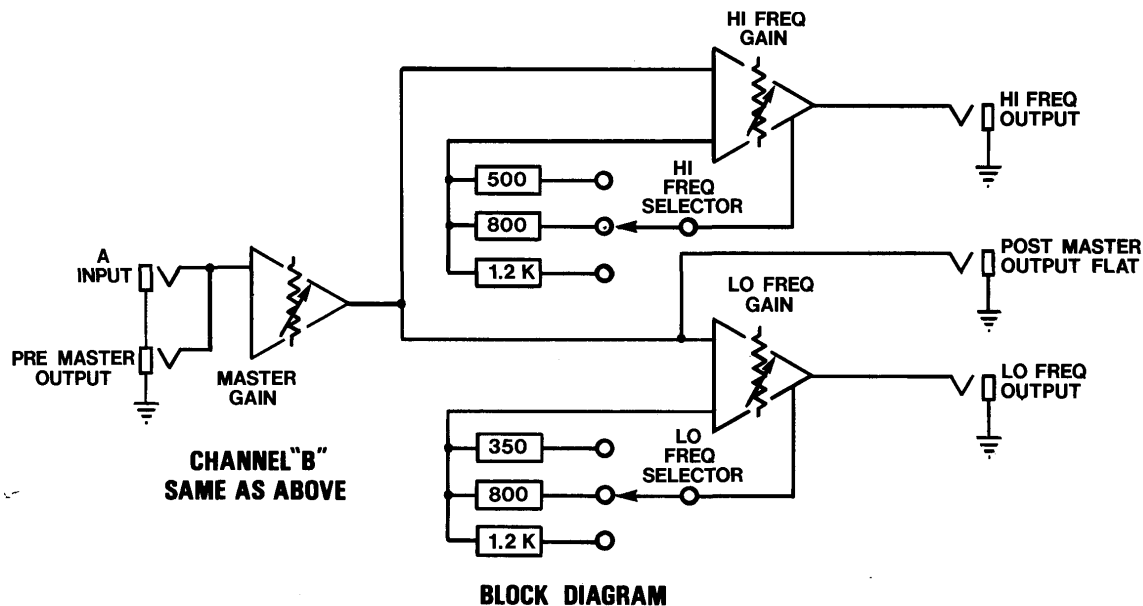
Each section includes a master level control, Lo gain control, three-position crossover point switch for both Lo frequencies and Hi frequencies, and Hi gain control. The front panel also includes a pilot light and an on-off switch.

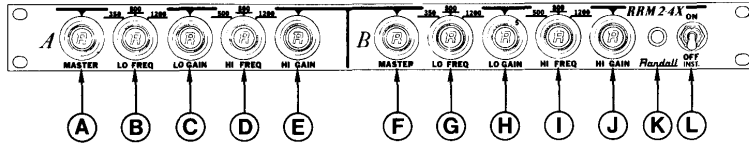
BACK PANEL FEATURES

Each section includes one 1/4" phone jack for input signal, and one each 1/4" phone jack for pre-master output, post master output, low frequency output, and a high frequency output. A 120 volt AC outlet and 10 foot grounded line cord.

SPECIFICATIONS

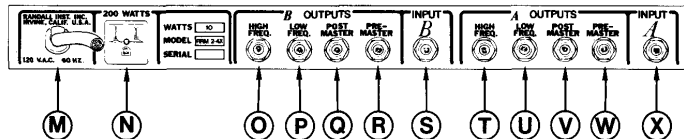
Input Z @ input jack 200 K ohms.
 Maximum gain 10 dB both high and low frequency output.
 Slope of knee both high and low is 18 dB per octave.
 Low frequency crossover points, 350 Hz, 800 Hz, and 1200 Hz.
 High frequency crossover points, 500 Hz, 800 Hz, and 1200 Hz.
 Low frequency output Z 680 ohms.
 High frequency output Z 680 ohms.
 Post master output Z 680 ohms.
 Maximum output + 10 dBM, 3 volts.
 Size 1 3/4"H x 19"W x 8"D. Weight 7 lbs.





- (A) MASTER GAIN "A" SIDE
INCREASE & DECREASE LEVEL OF BOTH HI & LO FREQUENCY OUTPUTS
- (B) CROSSOVER FREQUENCY SWITCH FOR LO FREQUENCY OUTPUT "A" SIDE
- (C) CONTROL FOR INCREASE & DECREASE OF LO FREQUENCY OUTPUT "A" SIDE
- (D) CROSSOVER SWITCH FOR HI FREQUENCY OUTPUT "A" SIDE
- (E) CONTROL FOR INCREASE & DECREASE OF HI FREQUENCY OUTPUT "A" SIDE
- (F) MASTER GAIN "B" SIDE
INCREASE & DECREASE LEVEL OF BOTH HI & LO FREQUENCY OUTPUTS
- (G) CROSSOVER FREQUENCY SWITCH FOR LO FREQUENCY OUTPUT "B" SIDE
- (H) CONTROL FOR INCREASE & DECREASE OF LO FREQUENCY OUTPUT "B" SIDE
- (I) CROSSOVER SWITCH FOR HI FREQUENCY OUTPUT "B" SIDE
- (J) CONTROL FOR INCREASE & DECREASE OF HI FREQUENCY OUTPUT "B" SIDE
- (K) PILOT LIGHT
- (L) ON AND OFF SWITCH

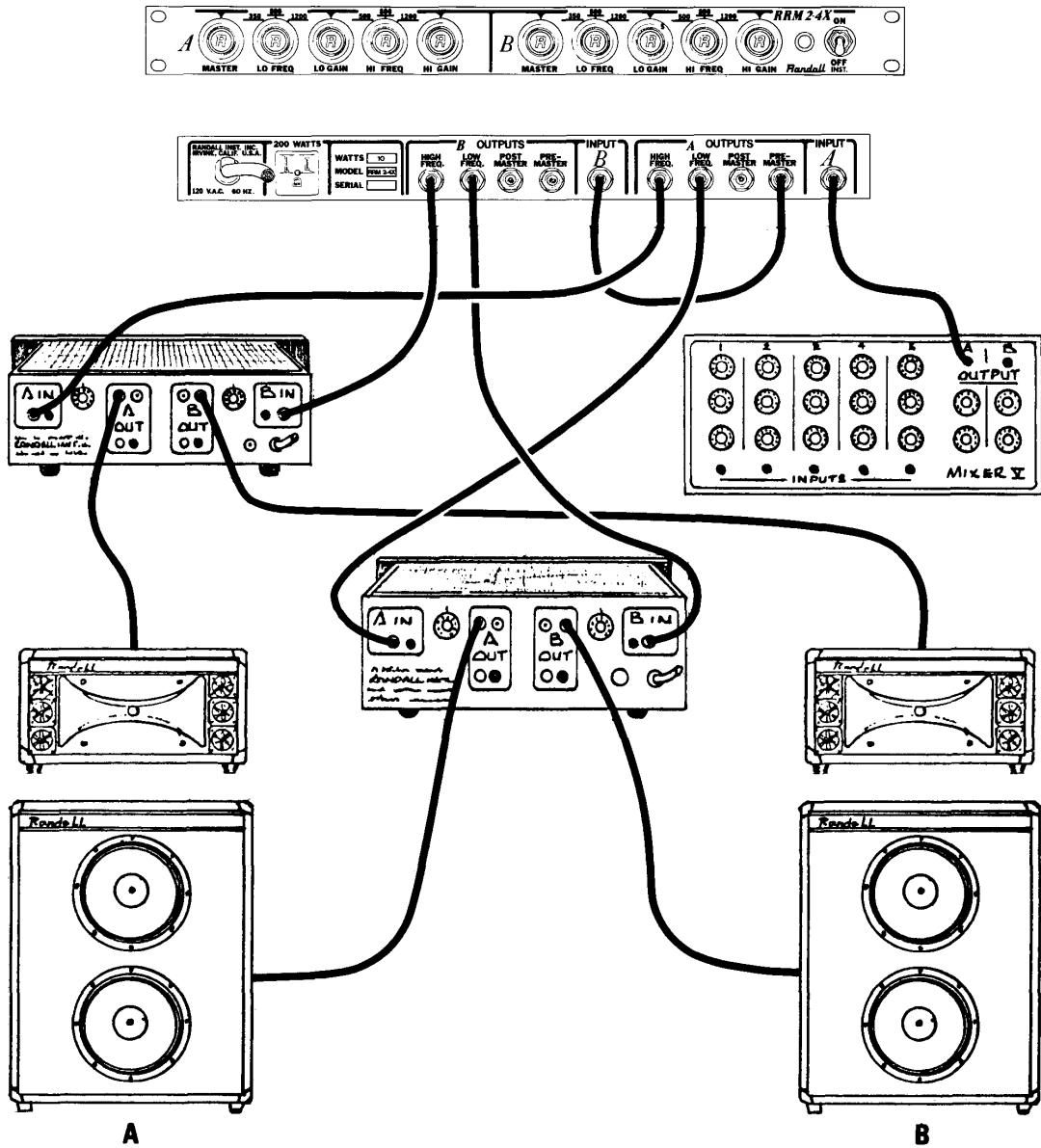
CONTROLS A, C, E, F, H & J SHOULD BE
SET ON 5 FOR INITIAL SET UP



- (M) 10 FT. LINE CORD
- (N) AC CONVENIENCE OUTLET
- (O) HIGH FREQUENCY OUTPUT FOR DRIVING HI FREQUENCY AMP "B" SIDE
- (P) LOW FREQUENCY OUTPUT FOR DRIVING LOW FREQUENCY AMP "B" SIDE
- (Q) POSTMASTER OUTPUT FLAT "B" SIDE
- (R) PREMASTER OUTPUT FLAT FOR STRAPPING ANOTHER ELECTRONIC
CROSSOVER "B" SIDE
- (S) INPUT FROM MIXER "B" SIDE
- (T) HIGH FREQUENCY OUTPUT FOR DRIVING HI FREQUENCY AMP "A" SIDE
- (U) LOW FREQUENCY OUTPUT FOR DRIVING LOW FREQUENCY AMP "A" SIDE
- (V) POSTMASTER OUTPUT FLAT "A" SIDE
- (W) PREMASTER OUTPUT FLAT FOR STRAPPING ANOTHER ELECTRONIC
CROSSOVER "A" SIDE
- (X) INPUT FROM MIXER "A" SIDE

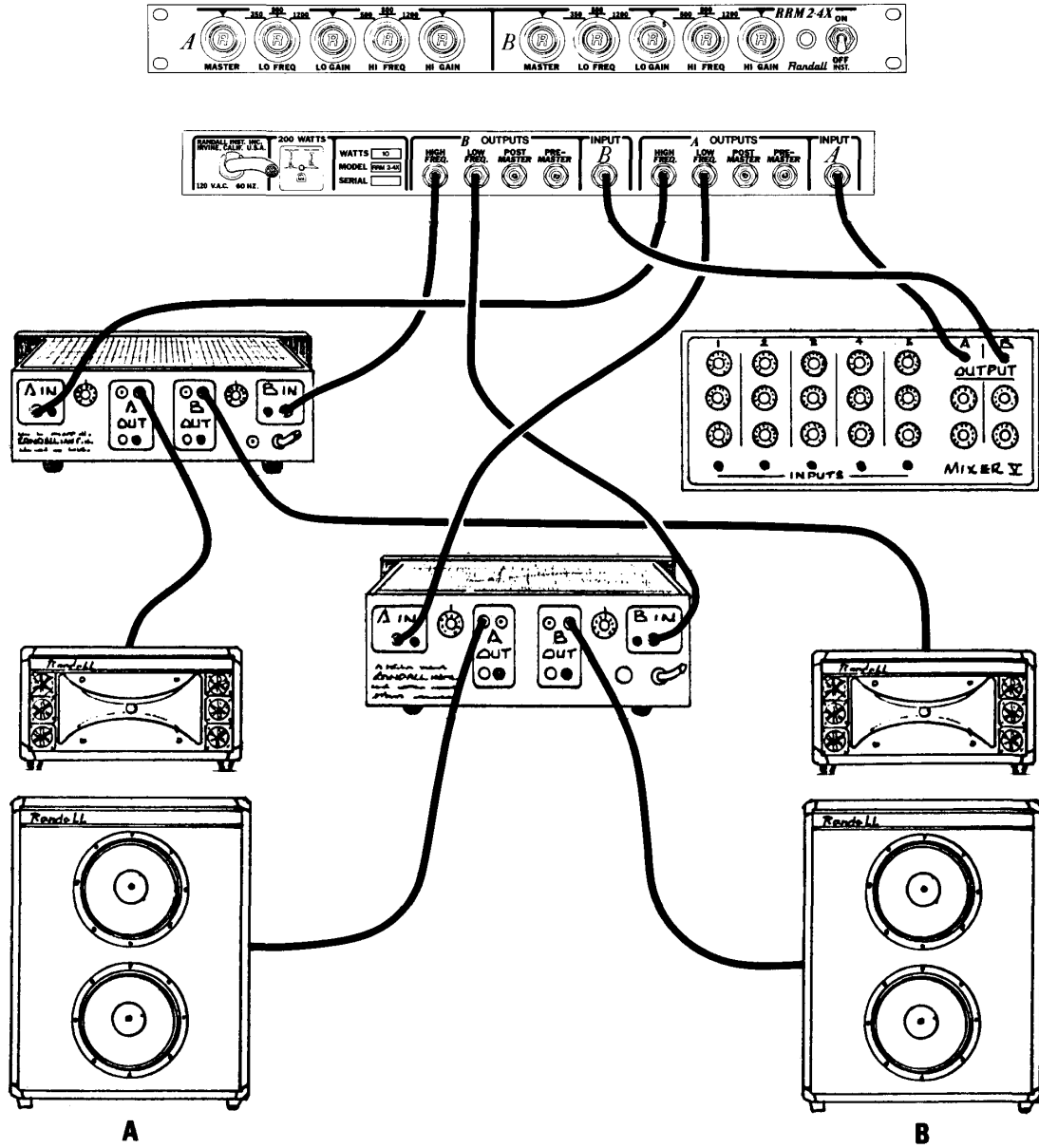
**USE SINGLE CONDUCTOR
SHIELDED CORDS FOR ALL
CONNECTIONS EXCEPT SPKR'S.**

BI AMP MONO



WARNING: TO PREVENT FIRE OR SHOCK HAZARD DO NOT EXPOSE THIS APPLIANCE TO RAIN OR MOISTURE.

BI AMP STEREO



Randall INSTRUMENTS, INC. IRVINE, CA 92705